

DATA SHEET.

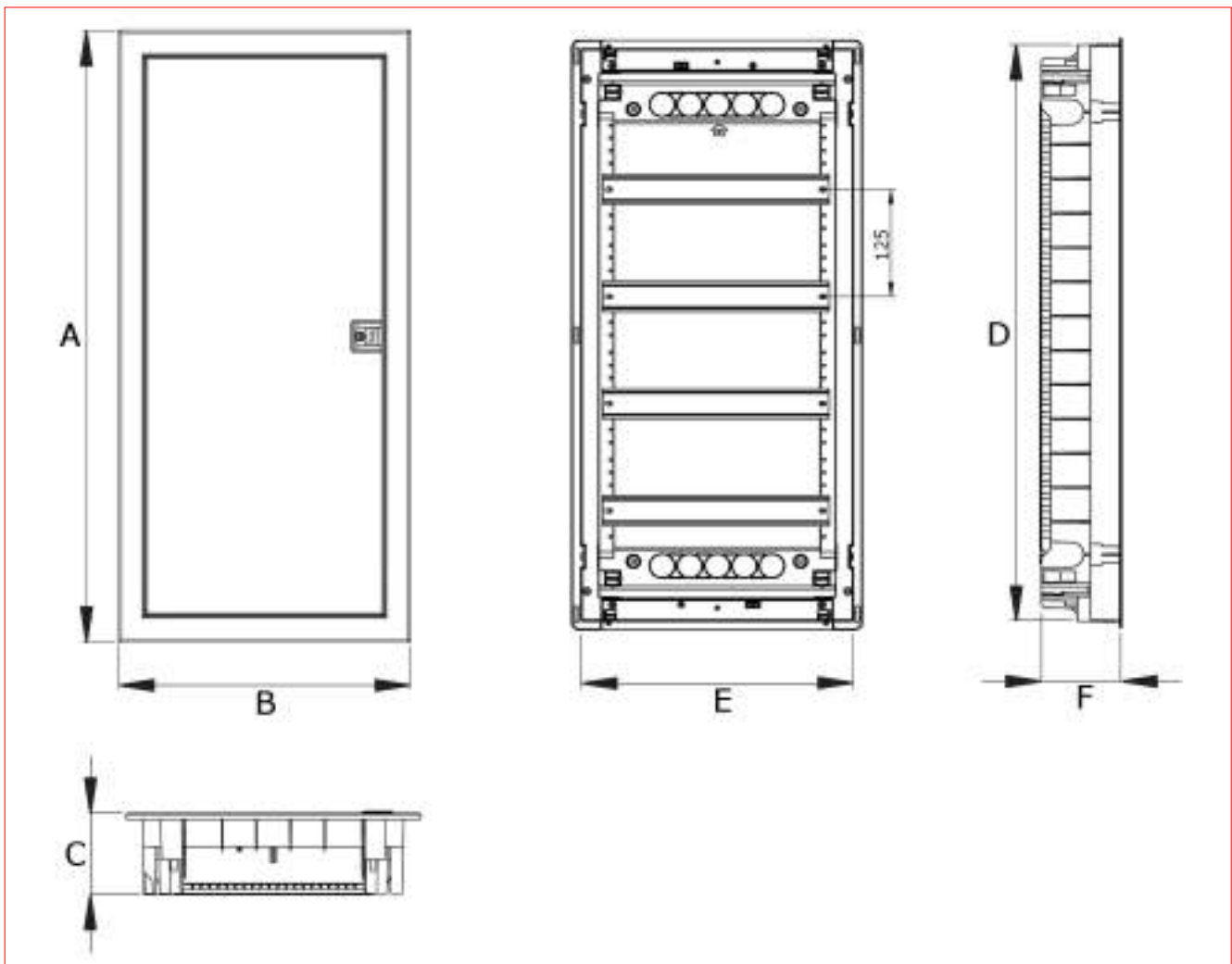
DOMESTIC CONSUMER UNIT ENCLOSURES SERIES AMPARO IP40 WITH SHEET STEEL DOOR



SCHRACK-INFO

- 1- to 5-row enclosures available in solid wall- or partition wall design
- Frame and door in coated sheet steel
- Frame design high (ca. 6 mm)
- 4-point frame fixing for plaster compensation (optionally 6-point frame fixing is possible)
- Module cover and wall box in ABS, halogen free
- Includes N- and PE-screw terminals, door with door clip
- Glow wire test:
 - Resistant to abnormal heat and fire up to 850 °C for partition walls
 - Resistant to abnormal heat and fire up to 650 °C for solid walls
- Mounting bracket:
 - For partition walls (up to 30 mm wall thickness)
 - For solid walls: Dovetail mounting brackets for front or back panel mounting
- Delivery includes: enclosure, device supports, plaster cover, module cover, neutral terminals and conductor terminals, mounting instructions, mounting equipment for partition wall mounting, mounting bracket, self-adhesive labelling sheet with graphic representation (pictograms)
- Wall box brackets horizontal (BK005098) as well as vertical (BK005095) can be obtained as accessory
- Protection class I
- Degree of protection IP40
- RAL9000 signal white

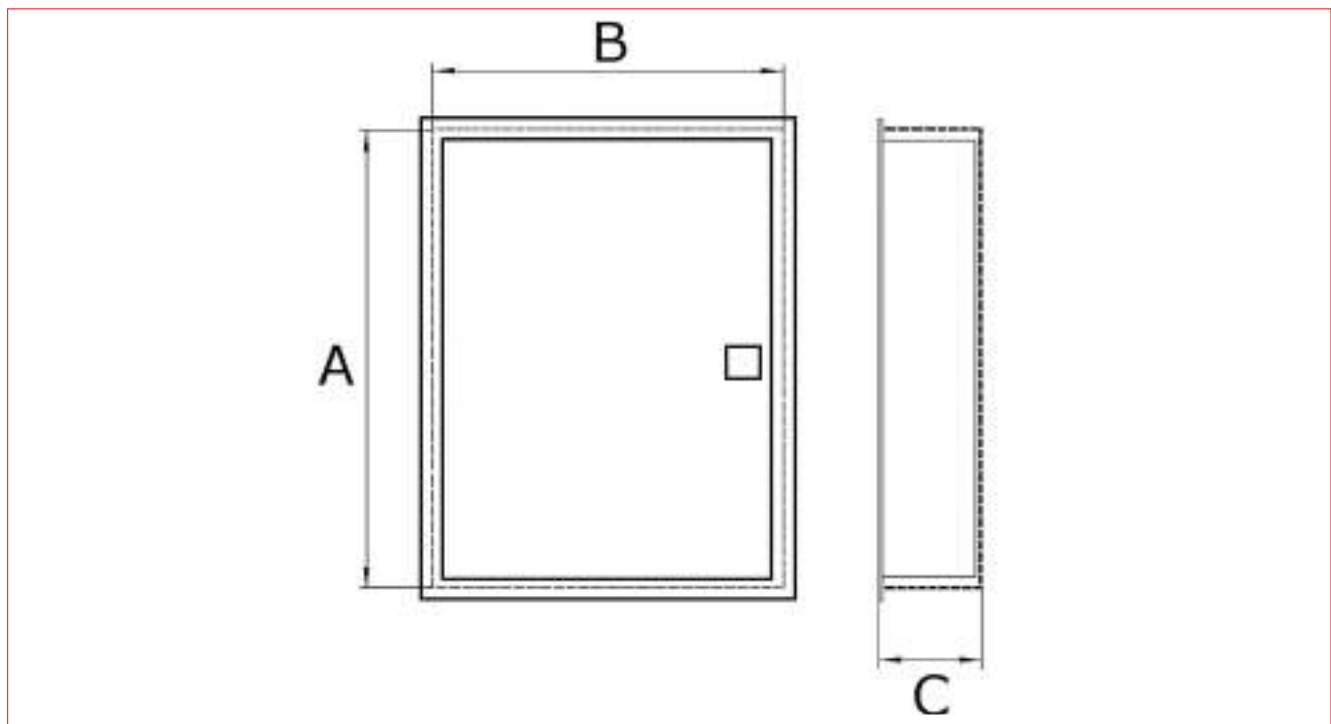
DIMENSIONS



Article number	A [mm]	B [mm]	C [mm]	D [mm]	E [mm]	F [mm]	Rows	MW	U terminals [mm ²]	PE terminals [mm ²]	Radiant power loss [W]*
800850012	317	340	94	274	306	87	1	12+2	10x10	10x10	-25
800850022	442	340	94	399	306	87	2	24+4	30x10	30x10	-34
800850032	567	340	94	549	306	87	3	36+6	30x10	30x10	-45
800850042	717	340	94	673	306	87	4	48+8	30x10	30x10	-54
800850052	842	340	94	817	306	87	5	60+10	30x10	30x10	-61
800850512	317	340	94	274	306	87	1	12+2	10x10	10x10	-25
800850522	442	340	94	399	306	87	2	24+4	30x10	30x10	-34
800850532	567	340	94	549	306	87	3	36+6	30x10	30x10	-45
800850542	717	340	94	673	306	87	4	48+8	30x10	30x10	-54
800850552	842	340	94	817	306	87	5	60+10	30x10	30x10	-61

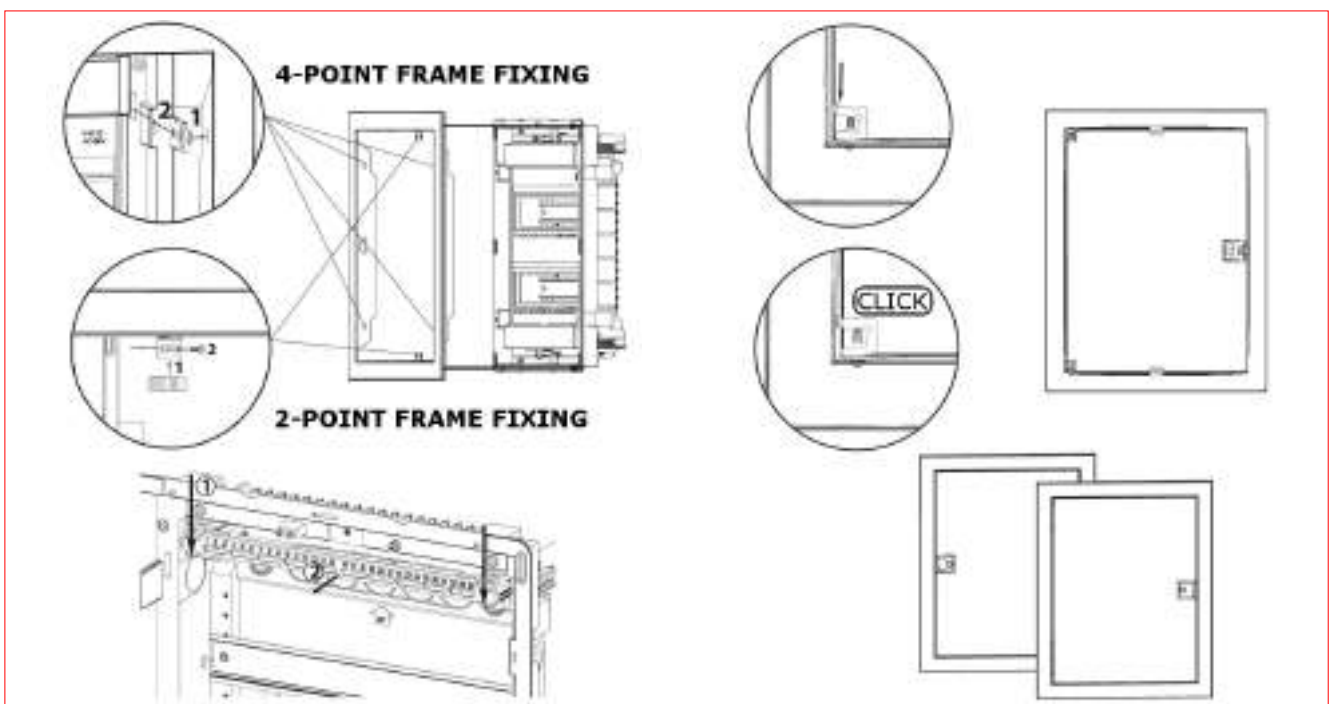
*Max. radiated power of housing calculated as a wall-mounted single fixed with $\Delta T = 250$.

■ MOUNTING DIMENSIONS

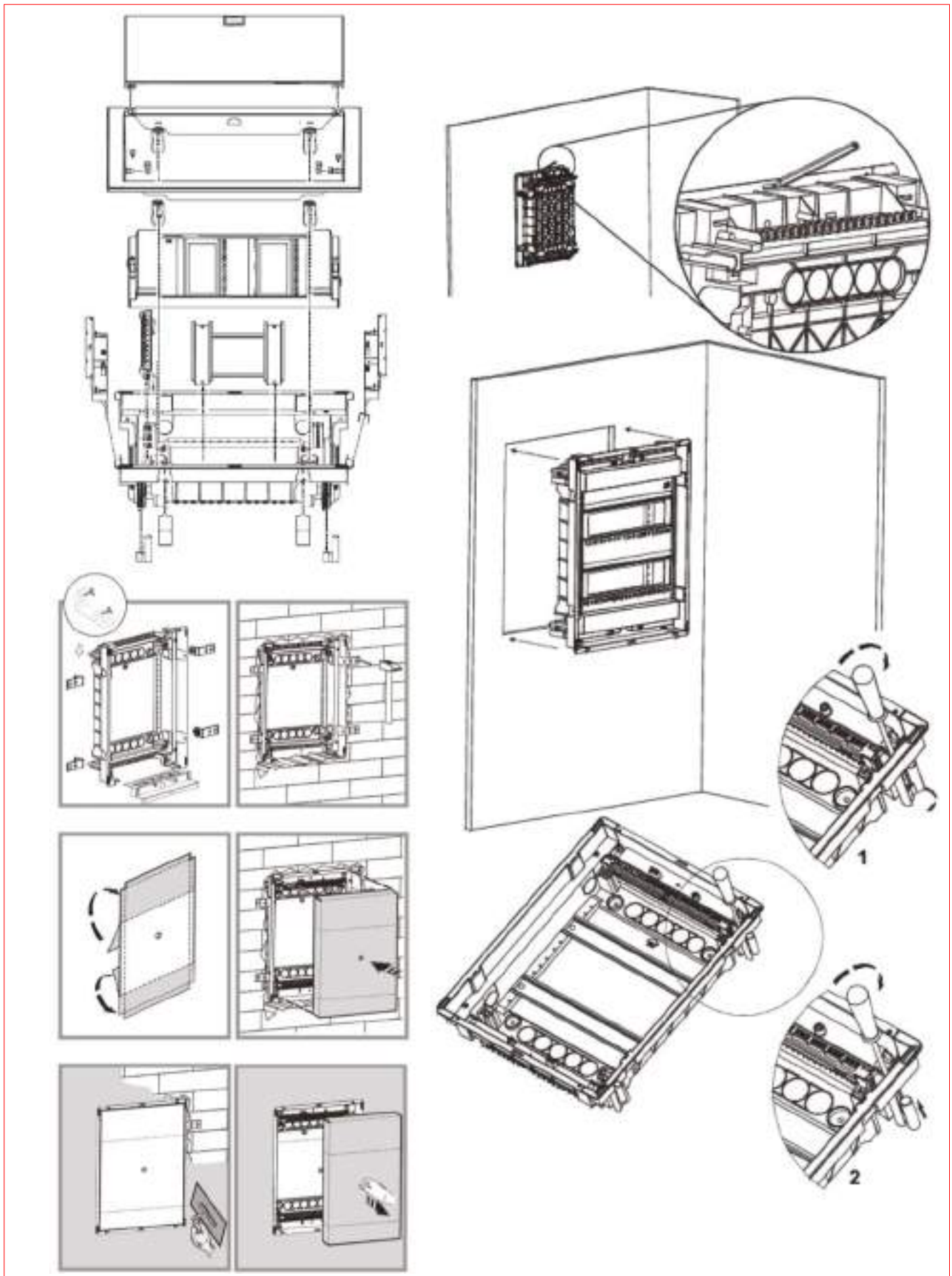


Article number		Solid wall cutout			Partition wall cutout		Rows	MW
Flush-mounted enclosures		A	B	C	A	B		
Solid wall	Partition wall	[mm]	[mm]	[mm]	[mm]	[mm]		
BK0850012	BK0850512	285	320	90	278	310	1	12+2
BK0850022	BK0850522	412	320	90	404	310	2	24+4
BK0850032	BK0850532	563	320	90	533	310	3	36+6
BK0850042	BK0850542	685	320	90	677	310	4	48+8
BK0850052	BK0850552	808	320	90	800	310	5	60+10

■ MOUNTING: FRAME AND DOOR

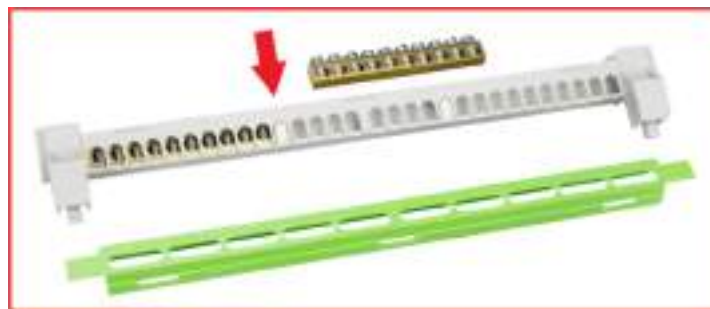


■ MOUNTING: SOLID WALL / PARTITION WALL



■ WIRING INSTRUCTION

Terminal blocks are not continuously connected to each other, in case of need a manual cross connection dimensions required in the corresponding conductor cross section is necessary.



■ DOMESTIC CONSUMER UNIT ENCLOSURES SERIES AMPAKO P4G WITH SHEET STEEL DOOR

DESCRIPTION	WxHxD mm	ORDER NO.
Solid wall - Frame with sheet steel door and wall box		
1-row, 12/14 MW, complete	346x317x94	BK0850012
2-rows, 24/28 MW, complete	346x442x94	BK0850022
3-rows, 36/42 MW, complete	346x592x94	BK0850032
4-rows, 48/56 MW, complete	346x717x94	BK0850042
5-rows, 60/70 MW, complete	346x842x94	BK0850052
Partition wall - Frame with sheet steel door and wall box		
1-row, 12/14 MW, complete	346x317x94	BK0850512
2-rows, 24/28 MW, complete	346x442x94	BK0850522
3-rows, 36/42 MW, complete	346x592x94	BK0850532
4-rows, 48/56 MW, complete	346x717x94	BK0850542
5-rows, 60/70 MW, complete	346x842x94	BK0850552
Wall box for solid wall		
1-row, 12/14 MW	306x274x87	BK0850012A
2-rows, 24/28 MW	306x399x87	BK0850022A
3-rows, 36/42 MW	306x549x87	BK0850032A
4-rows, 48/56 MW	306x673x87	BK0850042A
5-rows, 60/70 MW	306x817x87	BK0850052A
Wall box for partition wall		
1-row, 12/14 MW	306x274x87	BK0850512A
2-rows, 24/28 MW	306x399x87	BK0850522A
3-rows, 36/42 MW	306x549x87	BK0850532A
4-rows, 48/56 MW	306x673x87	BK0850542A
5-rows, 60/70 MW	306x817x87	BK0850552A
Frame (high) with door from sheet steel		
1-row, 12/14 MW, door with insert	346x317x40	BK0851012F
2-rows, 24/28 MW, door with insert	346x442x40	BK0851022F
3-rows, 36/42 MW, door with insert	346x592x40	BK0851032F
4-rows, 48/56 MW, door with insert	346x717x40	BK0851042F
5-rows, 60/70 MW, door with insert	346x842x40	BK0851052F
Accessories		
Connection bracket set horizontal (PU= 2 pcs.)		BK085098
Connection bracket set vertical (PU= 2 pcs.)		BK085095
Depth rail for media enclosure		BK085099
Half cylinder lock for BK085, metal		BK085097
Key for lock 2233X round cylinder		BK085093
Spare part kit for BK085 frame and door		BK085090
Spare part kit for BK085 wall box		BK085091