

Date tehnice pentru produs: WSA6080302

# Cutie metalică+contrapanou, 2 uși IP54

## ÎxLxA=600x800x300mm

tablă metalică, RAL7035, cu contrapanou, cu 4x încuietoare standard dublu bit, cu 2 flanșe fiecare L=300 A=190mm, tip C



### SCHRACK-Info

- **Material:** Robust, cross-shaped construction which is welded from a cold-pressed sheet steel plate regardless on the enclosure size. The enclosure consists of two parts: corpus and door
- **Sheet steel thickness corpus:**
  - Single door:
    - 1.2mm: WSA3025150 to WSA8040300
    - 1.5mm: WSA8060210 to WSA1208300
  - Double door:
    - 1.2mm: WSA6080302
    - 1.5mm: WSA8012302 to WSA1410402
- **Gland plates:**
  - Blind gland plates made of 1.5mm powder-coated sheet steel
  - The cable entry is possible via gland plate openings in the bottom or the top because the enclosure can be rotated by 180°
  - The placement far back in the enclosure ensures an easy cable entry
  - A gasket to protect the degree of protection is included
  - Internal gland plates: WSA8012302, WSA8012402, WSA1006400, WSA1008400, WSA1010302, WSA1206400, WSA1208400, WSA1210302, WSA1212302, WSA1212402 and WSA1410402

- **Door:** Made of sheet steel and equipped with M6 threaded bolts for earthing
  - Sheet steel thickness:
    - 1.2mm: WSA3025150 to WSA6040300
    - 1.5mm: WSA6050210 to WSA8040300, except WSA6080300 + WSA6080302 (each 2mm)
    - 2mm: WSA6080300 + WSA6080302, as well as WSA8060210 to WSA1410402
  - All single door enclosures from WSA4040210 (H=400 W=400 D=210mm), as well as all double door enclosures are fitted with pre-assembled door-mounting profiles, which also serve for rail fastening
  - The door is secured with two and from a height of 1000mm with three hinges and has an opening angle of 130°
  - The door hinges are hidden and the door is attached with safety pins. The position of door hinges can be easily changed. The doors have a polyurethane foam seal to ensure the IP degree of protection
- **Lock:**
  - Single door:
    - 1 x sash lock with double-bit insert: WSA3025150 to WSA4060210
    - 2x sash locks with double-bit insert: WSA5030210 to WSA1008400
    - 1 x 3-point-lock with door lock: WSA1206300 to WSA1208400
  - Double door:
    - 4x sash locks with double-bit insert: WSA6080302 to WSA1010302
    - 1 x 3-point-lock with mini-swing handle: WSA1210302 to WSA1410402
  - Single door enclosures from a height of 500mm have two sash locks
  - Single door enclosures from a height of 1200mm are equipped with a 3-point rod lock and a door lock
  - Double door enclosures from a height of 600mm have four sash locks
  - Double door enclosures from a height of 1200mm are equipped with a 3-point rod lock and a mini-swing handle
  - The lock insert for all locking systems is a 5mm double-bit lock
  - The mini-swing handle with 5mm double-bit lock can be exchanged for a door lock or a swing handle for half-cylinder locks
- **Mounting plate:**
  - 2mm galvanised sheet steel
  - The mounting plate is folded on the sides to increase rigidity
  - The mounting plate is installed on welded M8 bolts inside the enclosure and can be removed for assembly and wiring
  - It comes with earthing points to establish a connection to the body of the enclosure
- **Mounting:**
  - The enclosure can be mounted directly to the wall with wall-mounting brackets WSAWB004, the degree of protection is maintained
  - Alternatively, the enclosure can be mounted directly on the desired mounting surface using screws (pay attention to the degree of protection!)
  - The four M8 diameter wall-mounting holes are arranged in the corners of the rear panel
  - Several enclosures can be mounted beside each other thanks to the small door opening radius
  - For the widths 300, 400, 500 and 600mm, there are corresponding pole attachments WSAPCLx00
- **Outdoor installation:**
  - Enclosures and accessories of WSA series meet the requirements of standard IEC 62208 for metal enclosures that allow outdoor installation
  - The standard IEC 62208 allows a certain degree of oxidation Ri1 according to ISO 4628-3 and in practice this degree of oxidation does not affect the functionality and mechanical solidity of the enclosure. The implementation of maintenance to avoid aesthetic deterioration and to prolong its useful life is recommended (see below)
  - Corrosion protection for the entire enclosure is recommended

- **Degree of protection:**
  - Single door IP66
  - Double door IP54
- **Impact protection:** IK10, IK08 for glazed doors
- **Finish:** Iron phosphate and electrostatic powder coating
- **Color:** RAL 7035 (Light grey)
- **Supply includes:**
  - Enclosure with two door-mounting profiles (from enclosure width 300mm and above)
  - Blind gland plate(s) with gasket(s) and screws
  - One key DIN 5mm
  - One mounting plate with mounting material
  - Earthing possibilities are given

#### Maintenance recommendations for sheet steel wall-mounted enclosures outdoor:

- Enclosures and accessories of WKT and WSA series meet the requirements of standard **IEC 62208** for metal enclosures that allow outdoor installation
- The standard IEC 62208 allows a certain degree of **oxidation Ri1** according to **ISO 4628-3** and in practice this degree of oxidation does not affect the functionality and mechanical solidity of the enclosure. The implementation of maintenance to avoid aesthetic deterioration and to prolong its useful life is recommended
- **Interval:** Annually
- **Visual inspection:** Detection of any harm to the surface such as scrapes or impacts that could have damaged the paint coating
- **Initial signs of rust:** Due to scrapes, impacts or any other causes
  - Remove the surface rust
  - Abrade the surface rust to get rid of it completely
- **Cleaning:** Clean the affected area with alcohol or an evaporating cleaner
- **Paint:** Paint the affected surface with a synthetic paint (RAL 7035)
  - We recommend our grey textured paint color RAL 7035, Art.-nr. IU008106



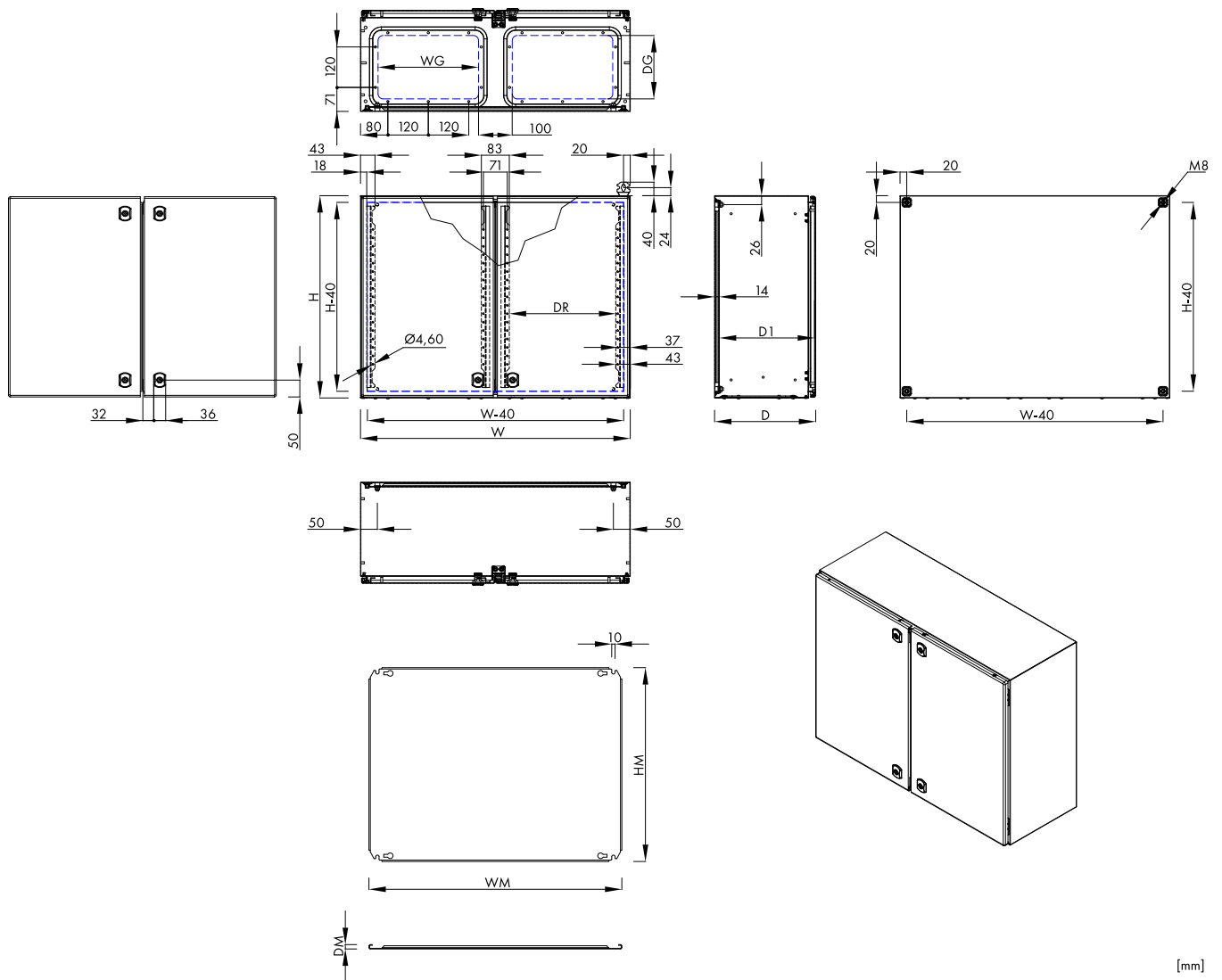
## Fișe tehnice

Lățime netă (mm)	800,00
Înălțime (mm)	600,00
Adâncime netă (mm)	300,00
Masă netă (kg.)	29,50
Temperatura minimă a mediului ambiant (°C)	-40
Temperatura maximă a mediului ambiant (°C)	100

## Fișe tehnice - Continuare

Categorie produs	Wall-mounted Enclosure Sheet Steel
Înălțime (mm)	600
Lățime (mm)	800
Adâncime (mm)	300
Total Load Capacity (kg.)	175
Grosimea peretelui corpului (mm)	1,20
Grad de protecție	IP54
Rezistență la impact	IK10
Contrașpanouri	galvanized sheet steel 2mm
Mounting Plate Load Capacity (kg.)	150
Grosimea peretelui contrașpanoului (mm)	2
Înălțimea contrașpanoului (mm)	575
Lățimea contrașpanoului (mm)	750
Număr de uși	2
Load capacity per door (kg.)	25
Număr de flanșe	2
Grosimea peretelui ușii (mm)	2
Ranforsarea ușii	Inclusă
Încuietoare	4
Balamale	4
Tip flanșă	C
Lățime flanșă (mm)	300
Adâncime flanșă (mm)	190
Montaj pe peretele din spate	4
Culoare	Gri deschis
disipare (W)	-256,00
Furnitura include	Complete enclosure + mounting plate + gland plates + double bit key + accessory pack
Clasă de protecție	I
Standard produs	EN 62208

## Dimension Drawing



[mm]

## Technical Details

Article number	Enclosure (mm)			Wall thickness (mm)		DR (mm)	Clearance depth D1 (mm)	Doors		Gland plates				Rear panel	Mounting plate (mm)		
	H	W	D	Corpus	Door			Number of locks	Number of hinges	WG (mm)	DG (mm)	Type	Pcs.		Number of fixings	HM	WM
WSA6080302	600	800	300	1.2	2	2x 315	284	4	4	300	190	C	2	4	575	750	12
WSA8012302	800	1200	300	1.5	2	2x 515	284	4	4	520	100	K	2	4	775	1150	12
WSA8012402	800	1200	400	1.5	2	2x 515	383	4	4	520	200	L	2	4	775	1150	12
WSA1010302	1000	1000	300	1.5	2	2x 415	284	4	4	420	100	H	2	4	975	950	12

## Tabel articole

Descriere	Cod comandă
Cutie metalică+contrapanou, 2 uși IP54 ÎxLxA=600x800x300mm tablă metalică, RAL7035, cu contrapanou, cu 4x încuietoare standard dublu bit, cu 2 flanșe fiecare L=300 A=190mm, tip C	WSA6080302
<b>Accesorii opționale</b>	
Piese pentru montaj mural cofrete WSA (4buc.)	WSAWB004
Tresă de împământare, L=260mm identică cu WTCUF260--	WSTCUF260
Flanșă intrare cabluri în WSA tip C, cu 20 intrări Placă trecere 9xM16, 5xM20, 4xM25, 2xM32 cu obturatoare, decupare L=300 A=190mm	WSAFA0C1
Placă de trecere WSA cu spumă de cauciuc tip C Potrivite pentru WSA5040300, WSA6040300, WSA6080300, WSA6080302, WSA8040300, WSA8080300, WSA1008300 și WSA1208300	WSAMFR0C
Plintă, Set față și spate 600x100mm RAL7012, 2 buc. în furnitură	ATSOB061
Plinte WSA set laterale A300 Î100 RAL7012	WSASOT031
Încuietoare rotativă pt. semicil.+cheie, în loc de WSTL3532	IU001925
Încuietoare cu butuc 5333, inclusiv 1 cheie	DV905333-A
Încuietoare cu butuc și cheie pentru WSA Produs similar: DV905333-A	WSSL3844-A
Profil pentru montare pe ușă L800 max Î1000 o bucată	WSACP0800
Contact ușă pentru WSA, 6A/230V c.a., IP40 1 contact normal deschis (ND) și 1 contact normal închis (NÎ), din plastic	WSADSW01
Blocaj ușă pentru WSA, potrivit pentru toate dimensiunile	WSADSTP2